

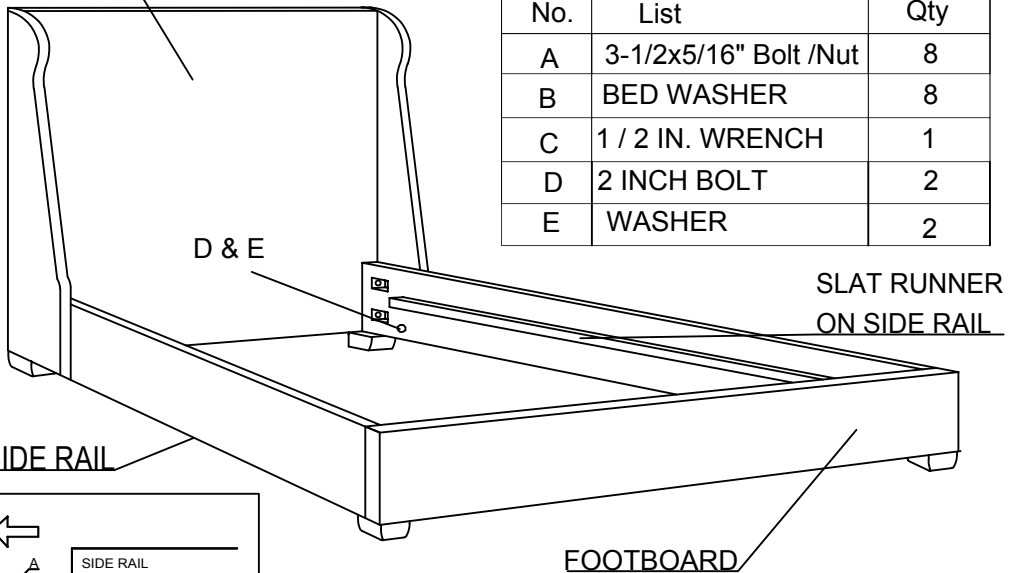
# BERNHARDT

## ASSEMBLY INSTRUCTIONS FOR 754 UPHOLSTERED BEDS

Thank you for purchasing Bernhardt Furniture. Be sure to check all packing materials carefully to ensure proper assembly of the piece.

Please read all instructions carefully before starting the assembly process. Some parts are large and heavy and require **AT LEAST TWO PEOPLE** to assemble, in order to prevent possible injury and/or damage to the furniture.

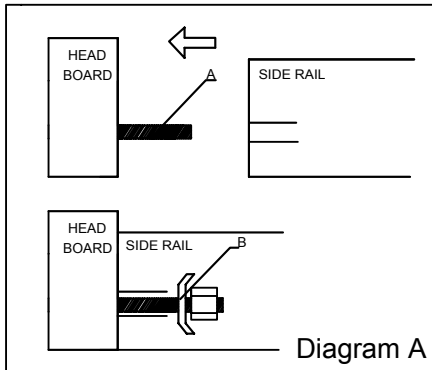
HEADBOARD



HARDWARE ENCLOSED		
No.	List	Qty
A	3-1/2x5/16" Bolt /Nut	8
B	BED WASHER	8
C	1 / 2 IN. WRENCH	1
D	2 INCH BOLT	2
E	WASHER	2

SIDE RAIL

FOOTBOARD



### Assembly Procedures:

Step 1: Remove Hole Covers from Headboard.

Step 2: Remove Nut from Bolt (A) then screw Bolt into Headboard inserts for Side Rails.

Step 2: Place Side Rail on Bolts as in Diagram A.

Step 3: Slide Bed Washer on Bolt and Tighten Nut with Wrench (C).

Step 4: Repeat Steps 1-4 for Footboard.

Step 5: Assemble Bolt (D) and Washer (E) through the Side Rail into the Headboard Side panel.

Step 6: Assemble and attach Metal Bed Slats to Slat Runner on Side Rail as shown in enclosed Metal Slat instruction sheet.