

EASY ASSEMBLY INSTRUCTIONS

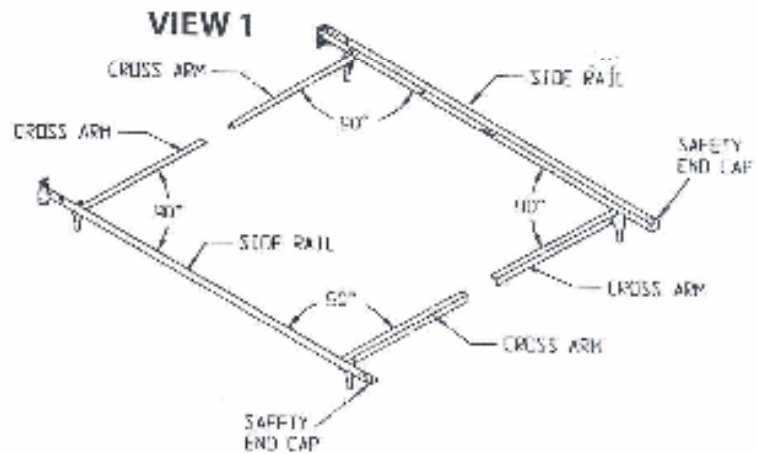
KX1

KING FRAME

STEP 1

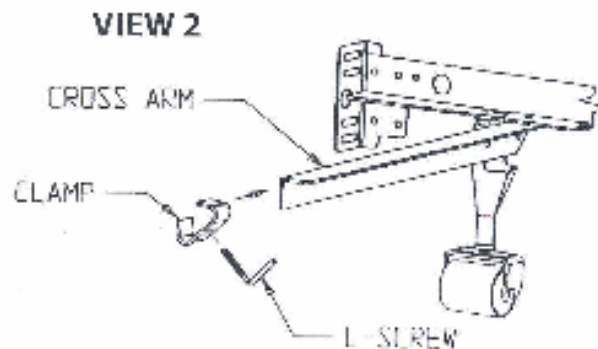
Swing out cross arms to 90° as shown in **View 1**. Place safety end caps onto ends of side rails.

WARNING: Safety end caps must be placed over the sharp corners of the side rail to avoid serious bodily injury.



STEP 2

Loosely attach L-screws to clamps. Slide clamps onto cross arms as indicated in **View 2**. Slide clamp along cross arm toward the leg of the frame.



STEP 3

To attach center cross arms to the center support, position the center support with legs pointing upward. Insert rivet "A" of center cross arm into notch "A"; then pivot so that rivet "B" locks into notch "B" as shown in **View 3**. Repeat procedure with other center cross arm.

VIEW 3



STEP 4

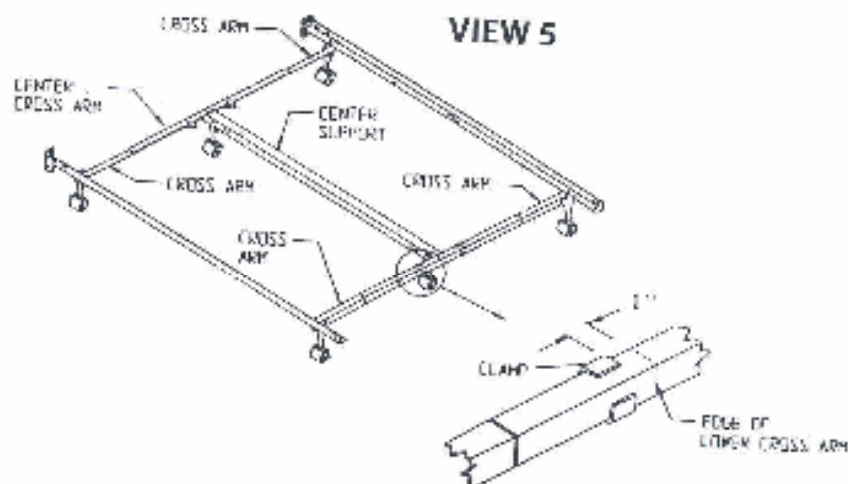
Overlap cross arms of the frame under the center cross arms. Slide clamps onto center cross arms, as shown in **View 4**.

VIEW 4



STEP 5

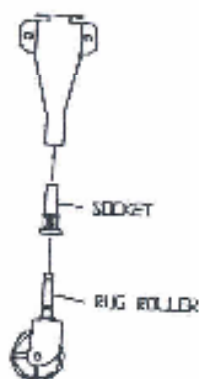
Adjust frame width to fit snugly against foundation, then tighten clamps in place. **NOTE:** Clamp should be one inch from lower cross arm as shown in **View 5**.



STEP 6

Insert sockets and rug rollers into legs of frame and center support as shown in **View 6**. Locking rollers should be installed on the corner legs located at the foot of the bed.

VIEW 6



Made Exclusively For


SELECT COMFORT