

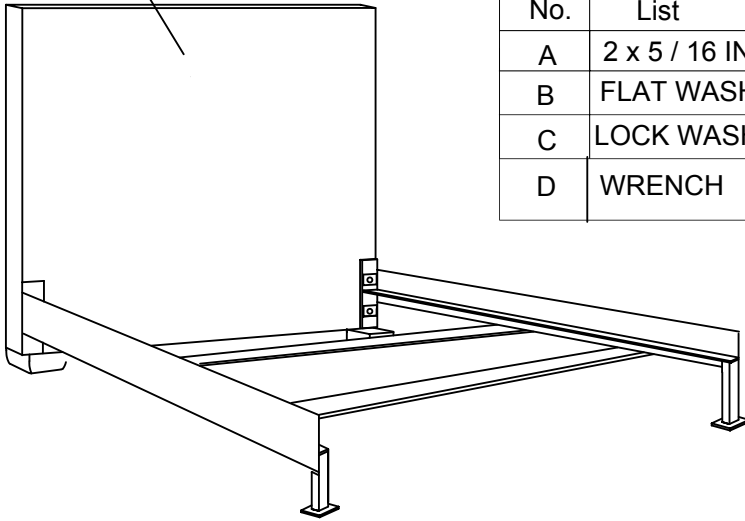
BERNHARDT

ASSEMBLY INSTRUCTIONS FOR 353 / 751 / 752 / 753 / 754 / 755 / 756 / 759 / 828 UPH HEADBOARDS

Thank you for purchasing Bernhardt Furniture. Be sure to check all packing materials carefully to ensure proper assembly of the piece.

Please read all instructions carefully before starting the assembly process. Some parts are large and heavy and require **AT LEAST TWO PEOPLE** to assemble, in order to prevent possible injury and/or damage to the furniture.

HEADBOARD



HARDWARE ENCLOSED		
No.	List	Qty
A	2 x 5 / 16 IN. BOLT	4
B	FLAT WASHER	4
C	LOCK WASHER	4
D	WRENCH	1

Assembly Procedures:

Step 1: Remove Hole Covers from Headboard.

Step 2: Assemble metal bed frame to manufacturers instructions.

Step 2: Align metal frame with bolt inserts in Headboard.

Step 3: Use Bolt (A), Flat washer (B), and Lock washer (C) to attach Headboard to metal bed frame.