

EASY ASSEMBLY INSTRUCTIONS

TX1

TWIN / FULL FRAME

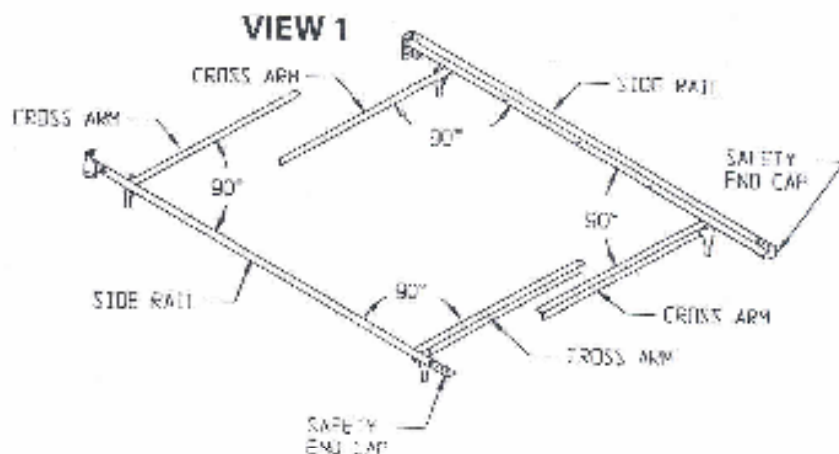
QX1

QUEEN FRAME

STEP 1

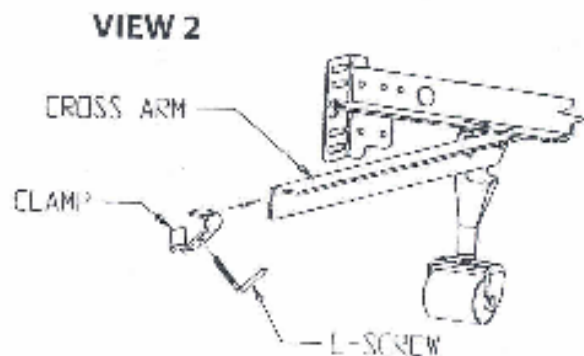
Swing out cross arms to 90° as shown in **View 1**. Place safety end caps onto ends of side rails.

WARNING: Safety end caps must be placed over the sharp corners of the side rail to avoid serious bodily injury.



STEP 2

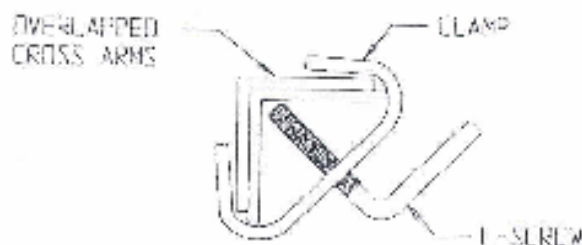
Loosely attach L screws to clamps. Slide clamps onto cross arms as indicated in **View 2**. Slide clamp along cross arm toward the leg of the frame.



STEP 3

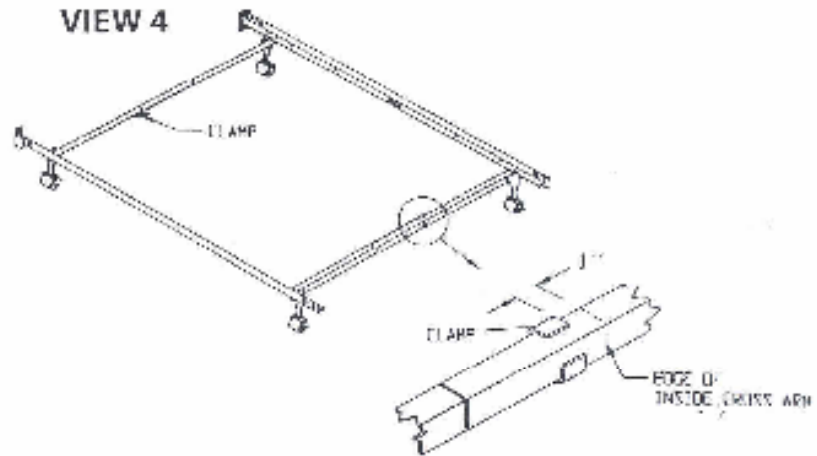
Overlap cross arms. Slide clamps onto the overlapped cross arms, as shown in **View 3**.

VIEW 3



STEP 4

Adjust frame width to fit snugly against foundation, then tighten clamps in place. **NOTE:** *Clamp should be one inch from lower cross arm as shown in View 4.*

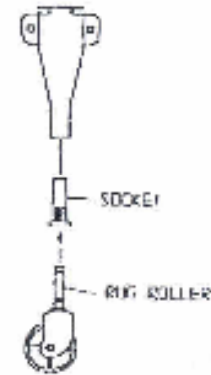


STEP 5

Insert sockets and rug rollers into legs of frame and center support* as shown in **View 5**. Locking rollers should be installed on the corner legs located at the foot of the bed.

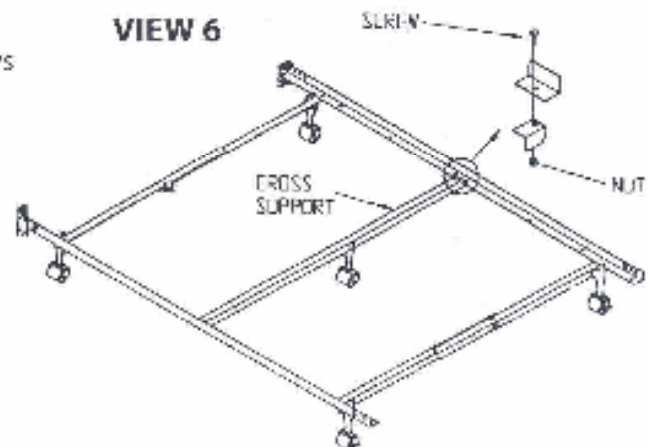
* center support on Queen frame only.

VIEW 5



STEP 6 (Queen applications only)

Attach cross support with nuts and screws provided, as shown in **View 6**.



Made Exclusively For



SELECT COMFORT

PN 99300559