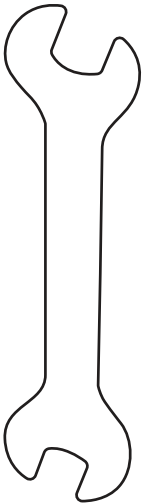


Headboard Brackets Kit Installation Guide

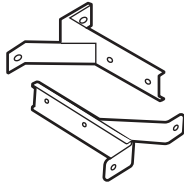
ATTACHING BRACKETS TO BED BASE

Before you begin, confirm that you have the correct number of components listed below.



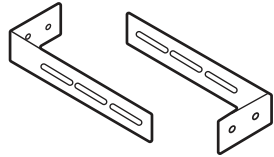
(1)

WRENCH



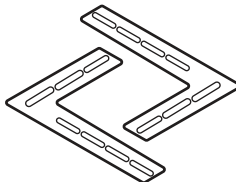
(2)

HEADBOARD MOUNTING BRACKETS



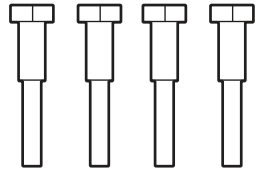
(2)

HEADBOARD MOUNTING TRACKS



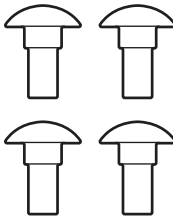
(2)

HEADBOARD MOUNTING FLANGES



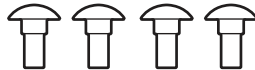
(4)

HEX BOLTS 1/4-20 x 1.5



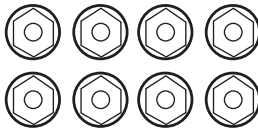
(4)

CARRIAGE BOLTS 3/8-16 x 3/4



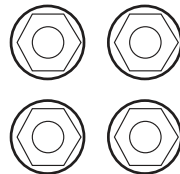
(4)

CARRIAGE BOLTS 1/4-20 x 1/2



(8)

HEX NUTS, TENSILock 1/4-20



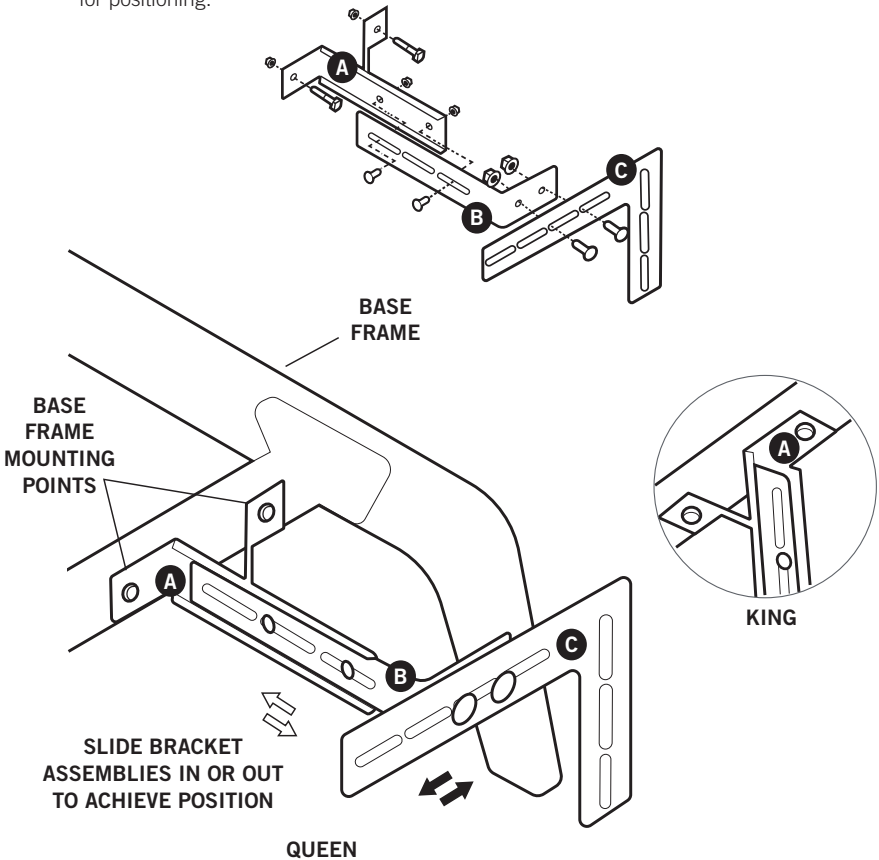
(4)

HEX NUTS, TENSILock 3/8-16

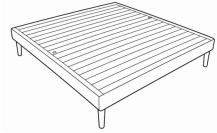
ATTACHING BRACKETS TO AN INTEGRATED BASE WITH FRAME



- 1 Attach one headboard mounting bracket **A** to one side at the head of the bed frame using two 1/4-20 x 1.5 hex head bolts and nuts. For **QUEEN** beds, the angled branch of the bracket should face the outside of the bed (see image below). For **KING** beds, the angled branch of the bracket should face the inside of the bed (see inset below). Tighten firmly.
- 2 Attach one headboard mounting track **B** into headboard mounting bracket **A** using two 1/4-20 carriage bolts and nuts. Loosely tighten (for adjustment purposes).
- 3 Attach the mounting flange **C** to the mounting track **B** with two 3/8-16 carriage bolts and nuts with the longer side of the mounting flange parallel to the floor. Loosely tighten (for adjustment purposes).
- 4 Repeat on the other side of the frame. NOTE: Bracket assemblies can be slid in or out for positioning.



ATTACHING BRACKETS TO A FOUNDATION BASE



- 1 Attach one headboard mounting bracket **A** to leg kit mounting point at the head of the foundation, using two 1/4-20 x 1.5 hex head bolts and nuts. For **QUEEN** of the bracket should face the outside of the bed (see image below). For **KING** beds, the angled branch of the bracket should face the inside of the bed (see inset below). Tighten firmly.
- 2 Attach one headboard mounting track **B** to the headboard mounting bracket **A** using two 1/4-20 carriage bolts and nuts. Loosely tighten (for adjustment purposes).
- 3 Attach the mounting flange **C** to the mounting track **B** using two 3/8-16 carriage bolts and nuts. Ensure the longer side of the flange is parallel to the floor. Tighten loosely to allow for adjustment.
- 4 Repeat Steps 1–3 on the other side of the frame.

Note: Bracket assemblies can be slid inward or outward as needed for proper positioning and alignment.

QUEEN

BASE
FRAME

BASE
FRAME
MOUNTING
POINTS

A

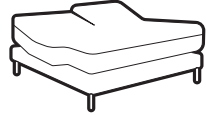
B

C

A

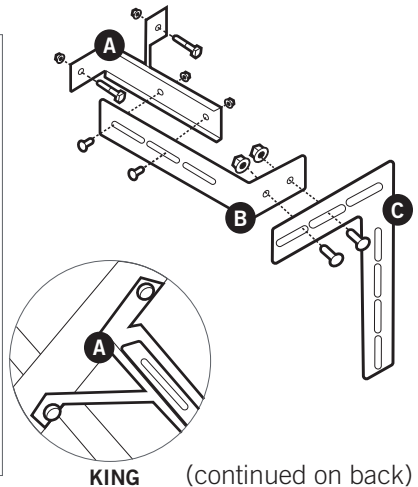
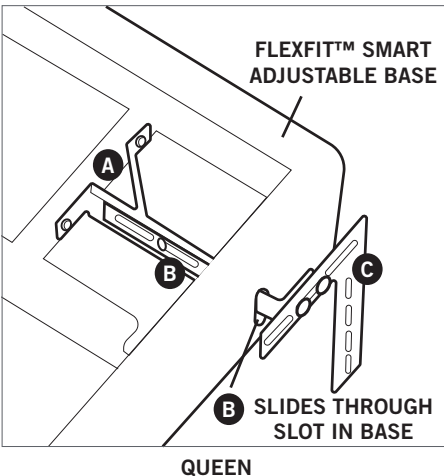
KING

ATTACHING BRACKETS TO A FLEXFIT® SMART ADJUSTABLE BASE



- 1 Raise the head of your FlexFit™ smart adjustable base before beginning assembly.
WARNING: To avoid injury, do not sit on head or foot of bed when it is in raised position. Do not allow any person, child or pet to go under the bed before or during operation. Keep hands and feet away from moving parts.
- 2 Attach one headboard mounting bracket **A** on one side of the bed frame at the head using two 1/4-20 x 1.5 hex head bolts and nuts. For **QUEEN** beds (see image below), the angled branch of the bracket should face the outside of the bed. For **KING** beds (see inset below), the angled branch of the bracket should face the inside of the bed. Tighten firmly.
- 3 Confirm whether or not your FlexFit™ smart adjustable base has a slot at the head (see Figures 1 and 2). If it has a slot, slide one headboard mounting track **B** into headboard mounting bracket **A** through the slot at the head of the adjustable base (see Figure 1) and attach using two 1/4-20 carriage bolts and nuts. Loosely tighten (for adjustment purposes). If your FlexFit™ smart adjustable base does not have a slot (see Figure 2 on back page), slide one headboard mounting track **B** into headboard mounting bracket **A** under the base deck at the head of the adjustable base and attach using two 1/4-20 carriage bolts and nuts. Loosely tighten (for adjustment purposes).
- 4 Attach the mounting flange **C** to the mounting track **B** on the outside of the adjustable base with two 3/8-16 carriage bolts and nuts. The shorter side of the mounting flange will be parallel to the floor. Loosely tighten (for adjustment purposes).
- 5 Repeat on the other side of the base. NOTE: Bracket assemblies can be slid in or out for positioning.

FIGURE 1: SLOT IN BASE



ATTACHING BRACKETS TO A
FLEXFIT® SMART ADJUSTABLE BASE
(continued)



FIGURE 2: NO SLOT IN BASE

