

sleep  number.



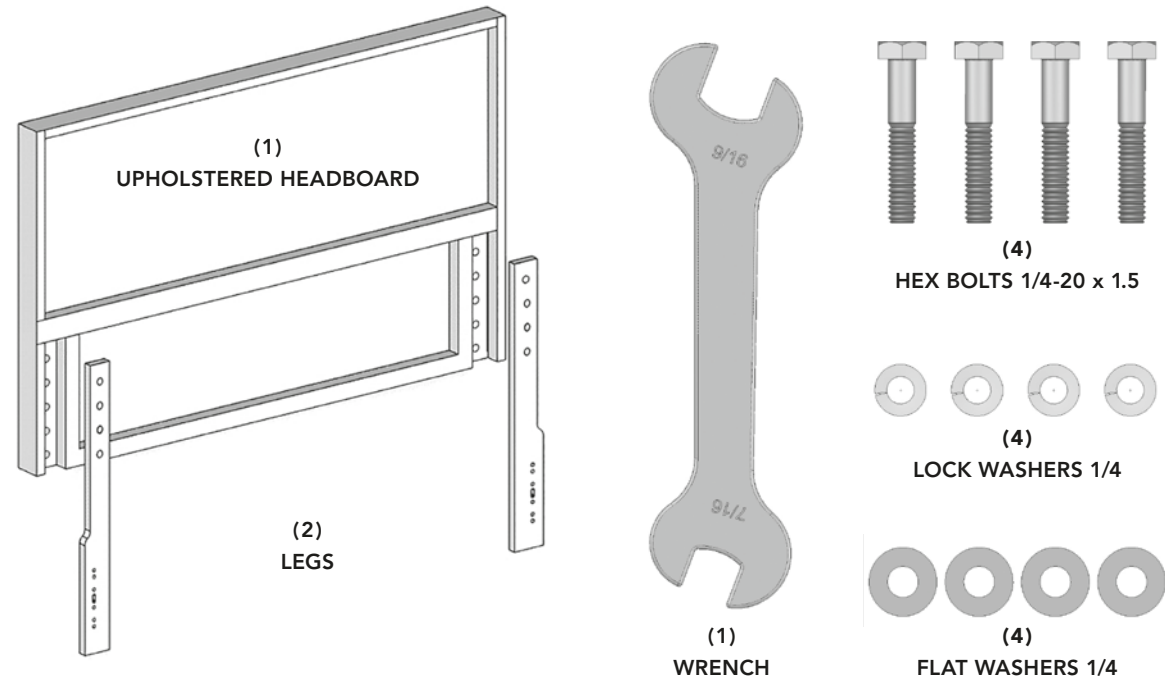
SLEEP NUMBER® UPHOLSTERED FURNITURE ESSENTIAL COLLECTION

HEADBOARD ASSEMBLY


I. Headboard Legs Kit

ATTACHING LEGS TO THE HEADBOARD

Before you begin, confirm that you have the correct number of components listed below.

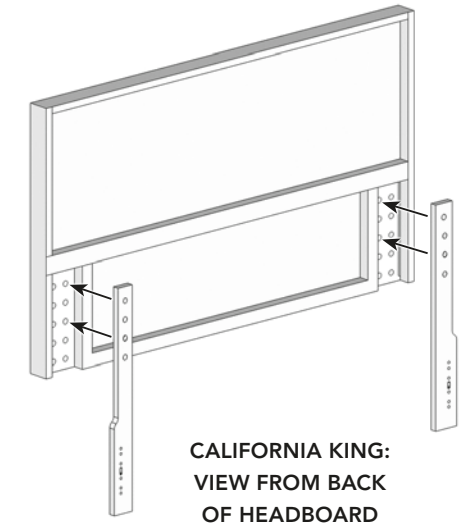
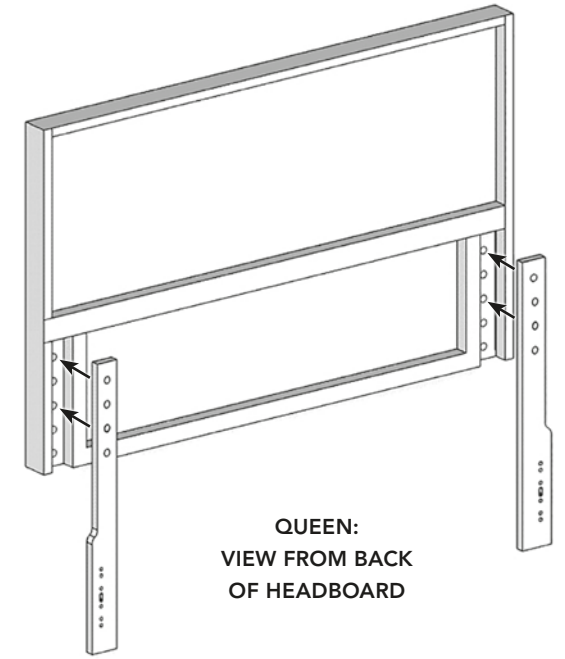
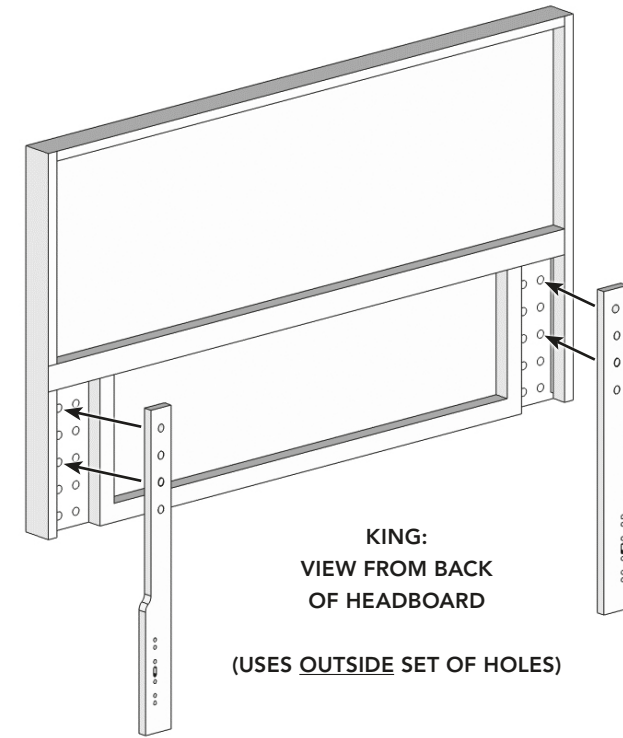


PLEASE READ ALL INSTRUCTIONS CAREFULLY BEFORE BEGINNING ASSEMBLY to avoid possible injury and/or damage to the furniture. Some parts are large and heavy and require at least two people to assemble.

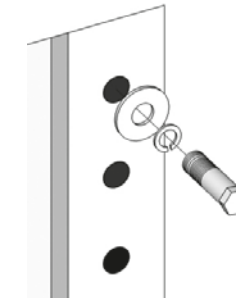
 **WARNING:** Danger of entrapment. To prevent serious or fatal injuries from entrapment, do not allow a person (adult or child) or pet to play under the bed or base or with any remote controls.

ASSEMBLY INSTRUCTIONS

- 1 Position legs inside the slots on the back of the headboard according to the size of your bed.



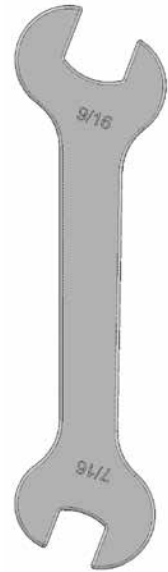
- 2 Position legs to desired height.
- 3 Attach legs using 2 bolts per leg, with lock and flat washers. Space bolts as far apart as possible for optimum support.



II. Base Brackets Kit

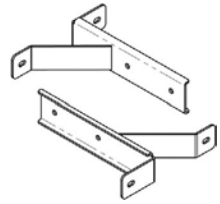
ATTACHING BRACKETS TO THE BED BASE

Before you begin, confirm that you have the correct number of components listed below.



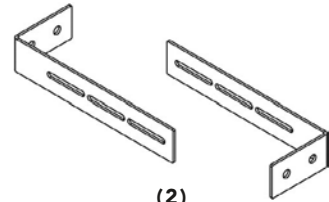
(1)

WRENCH



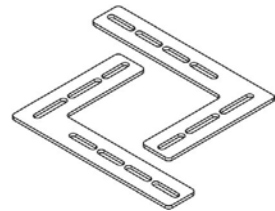
(2)

HEADBOARD MOUNTING BRACKETS



(2)

HEADBOARD MOUNTING TRACKS



(2)

HEADBOARD MOUNTING FLANGES



(4)

CARRIAGE BOLTS 3/8-16 x 3/4



(4)

CARRIAGE BOLTS 1/4-20 x 1/2



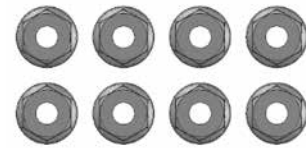
(4)

HEX BOLTS 1/4-20 x 1.5



(4)

HEX NUTS, TENSI LOCK 3/8-16



(8)

HEX NUTS, TENSI LOCK 1/4-20

Do you have an integrated (flat) base or a FlexFit™ smart adjustable base?
Follow the instructions according to which base you own.



INTEGRATED BASE WITH FRAME

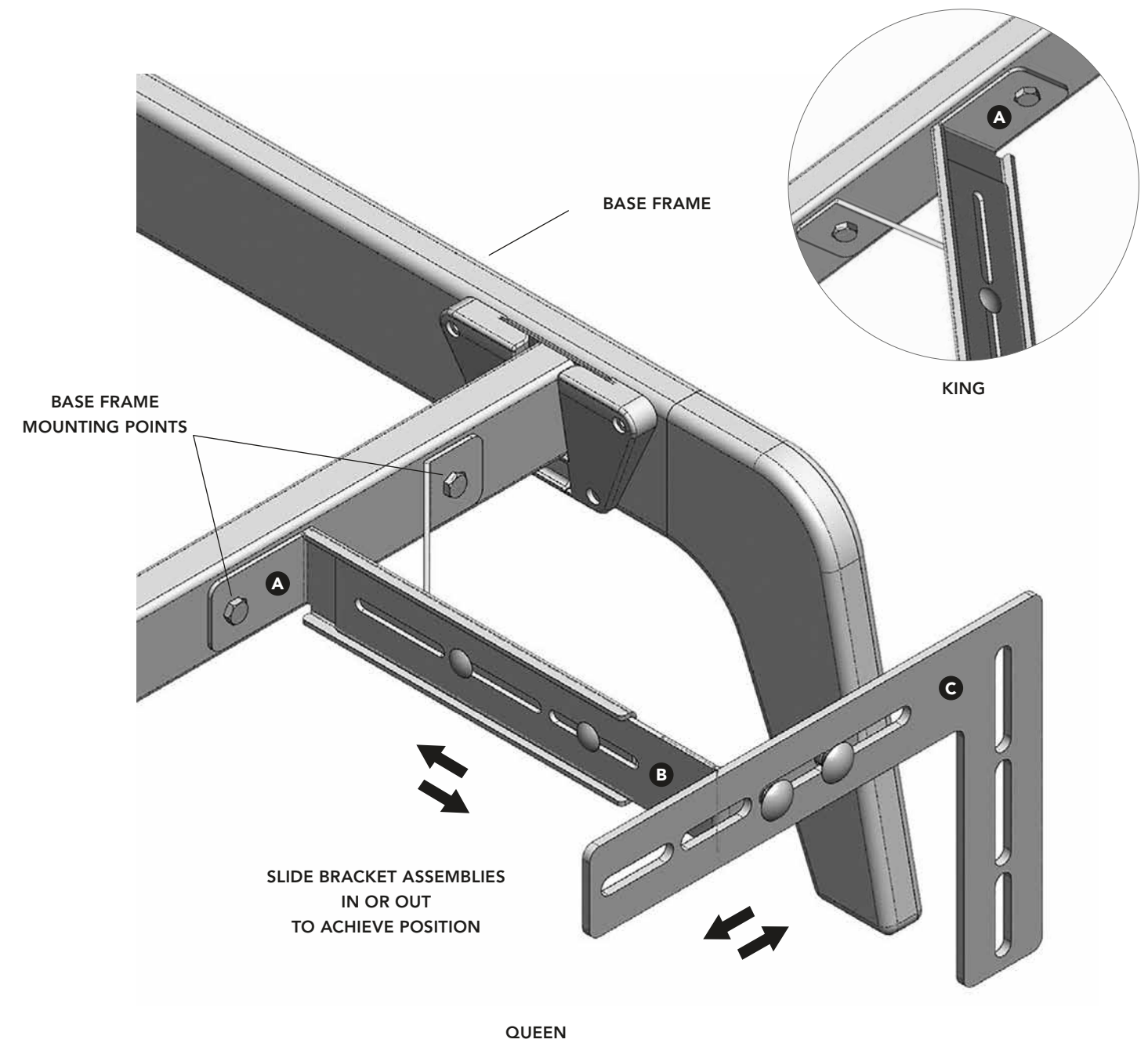
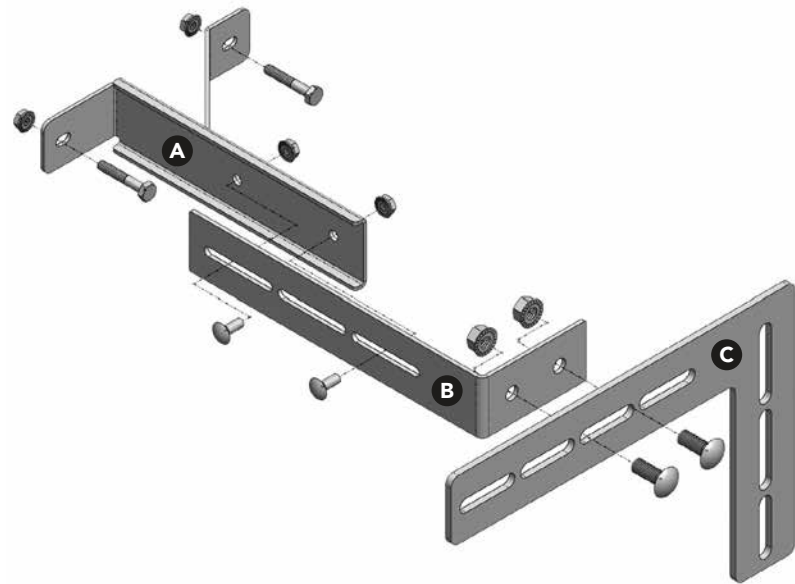


FLEXFIT™ SMART ADJUSTABLE BASE

ATTACHING BRACKETS TO AN INTEGRATED BASE WITH FRAME



- 1 Attach one headboard mounting bracket **A** to one side at the head of the bed frame using two 1/4-20 x 1.5 hex head bolts and nuts. For **QUEEN** beds, the angled branch of the bracket should face the outside of the bed (see image at right). For **KING** beds, the angled branch of the bracket should face the inside of the bed (see inset at right). Tighten firmly.
- 2 Attach one headboard mounting track **B** into headboard mounting bracket **A** using two 1/4-20 carriage bolts and nuts. Loosely tighten (for adjustment purposes).
- 3 Attach the mounting flange **C** to the mounting track **B** with two 3/8-16 carriage bolts and nuts with the longer side of the mounting flange parallel to the floor. Loosely tighten (for adjustment purposes).
- 4 Repeat on the other side of the frame. NOTE: Bracket assemblies can be slid in or out for positioning.



ATTACHING BRACKETS TO A FLEXFIT™ SMART ADJUSTABLE BASE



- 1 Raise the head of your FlexFit™ smart adjustable base before beginning assembly.
- 2 Attach one headboard mounting bracket **A** on one side of the bed frame at the head using two 1/4-20 x 1.5 hex head bolts and nuts. For **QUEEN** beds (see image at right), the angled branch of the bracket should face the outside of the bed. For **KING** beds (see inset at right), the angled branch of the bracket should face the inside of the bed. Tighten firmly.
- 3 Confirm whether or not your FlexFit™ smart adjustable base has a slot at the head (see Figures 1 and 2). If it has a slot, slide one headboard mounting track **B** into headboard mounting bracket **A** through the slot at the head of the adjustable base (see Figure 1) and attach using two 1/4-20 carriage bolts and nuts. Loosely tighten (for adjustment purposes). If your FlexFit™ smart adjustable base does *not* have a slot (see Figure 2), slide one headboard mounting track **B** into headboard mounting bracket **A** under the base deck at the head of the adjustable base and attach using two 1/4-20 carriage bolts and nuts. Loosely tighten (for adjustment purposes).
- 4 Attach the mounting flange **C** to the mounting track **B** on the outside of the adjustable base with two 3/8-16 carriage bolts and nuts. The shorter side of the mounting flange will be parallel to the floor. Loosely tighten (for adjustment purposes).
- 5 Repeat on the other side of the base. NOTE: Bracket assemblies can be slid in or out for positioning.

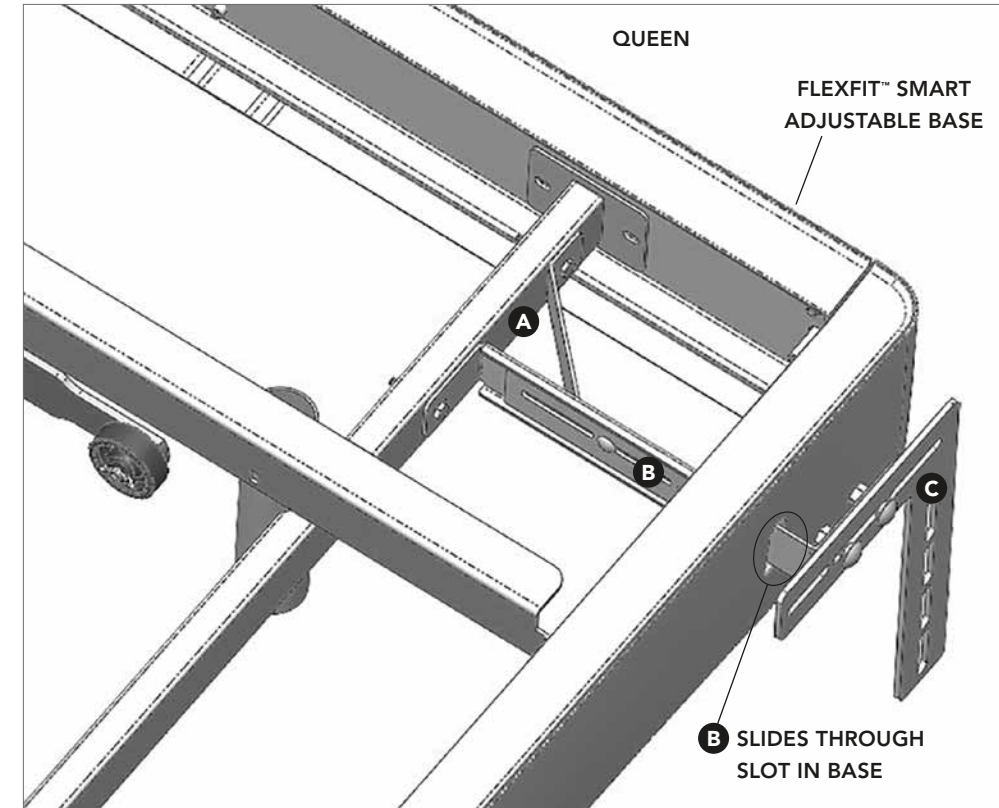
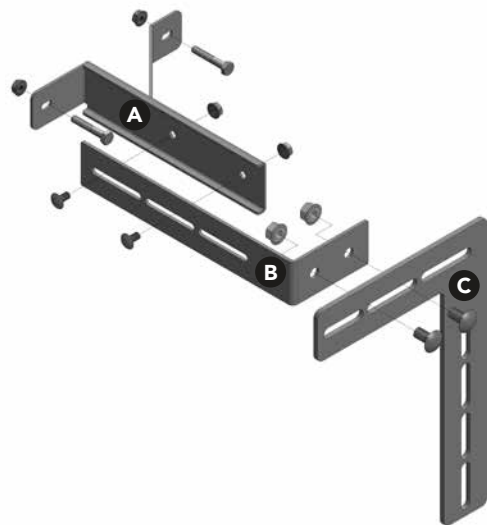


FIGURE 1: WITH SLOT IN BASE

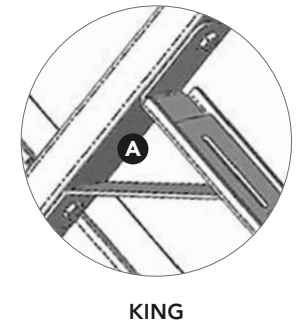
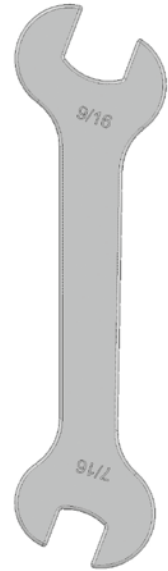


FIGURE 2: NO SLOT IN BASE

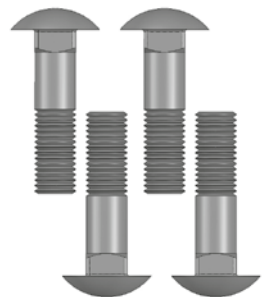
III. Headboard Mounting Kit

ATTACHING THE HEADBOARD TO MOUNTING BRACKETS

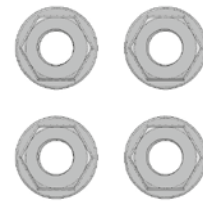
Before you begin, confirm that you have the correct number of components listed below.



(1)
WRENCH

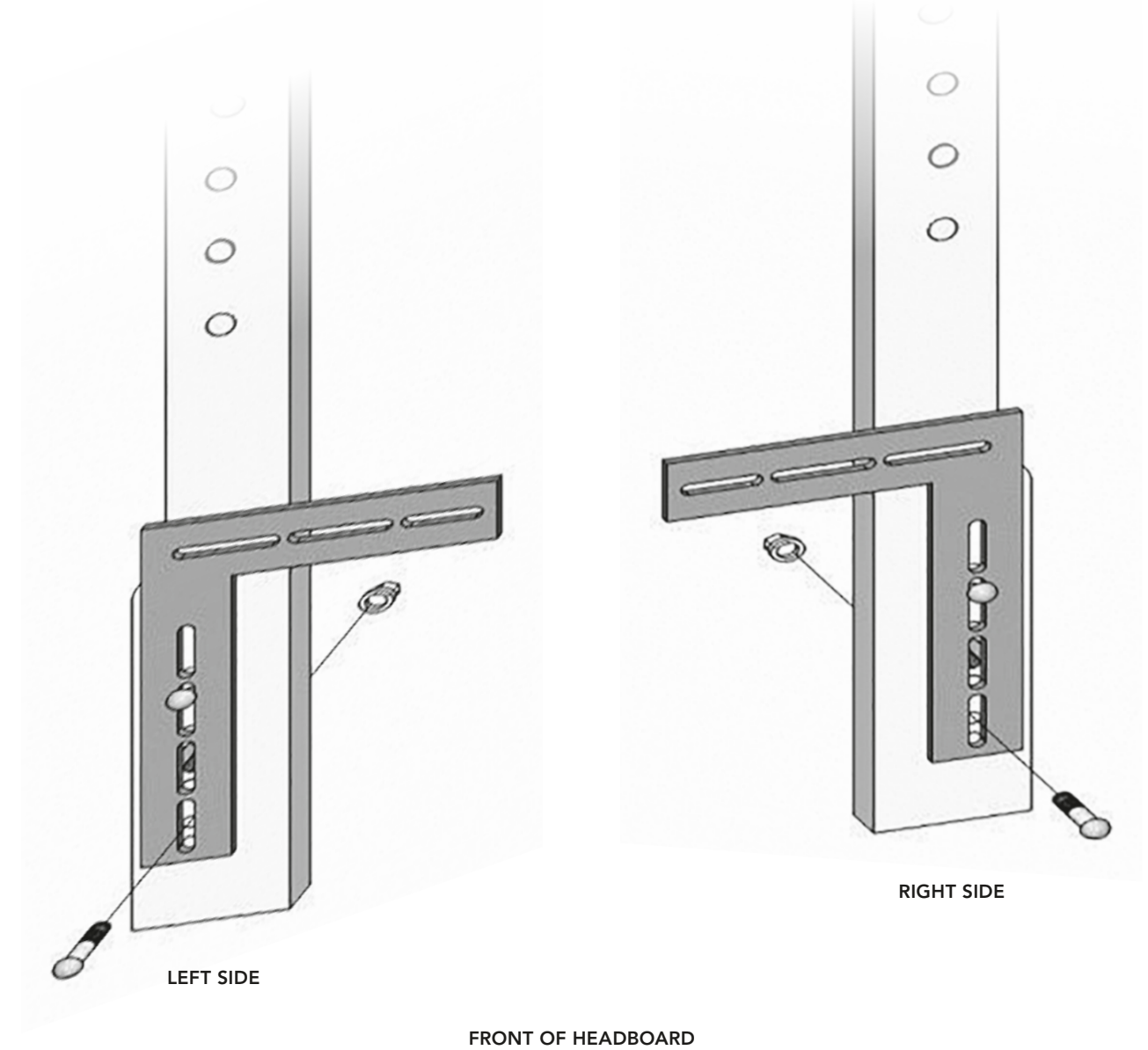


(4)
CARRIAGE BOLTS 3/8-16 x 1.5



(4)
HEX NUTS, TENSILock 3/8-16

- 1 Attach the headboard leg to the mounting flange on one side using two bolts and two nuts. Tighten firmly.
- 2 Repeat on other side.



NEED HELP?

Chat with us at

sleepnumber.com

or call

1-800-472-7185



sleep  number.

©2019 Sleep Number Corporation
Minneapolis, MN