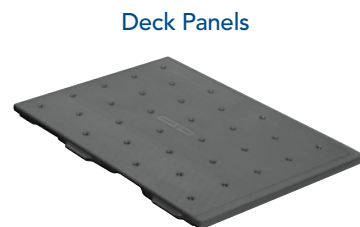
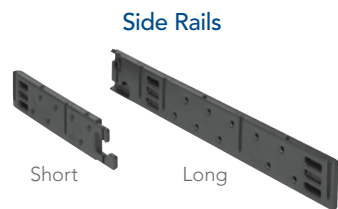


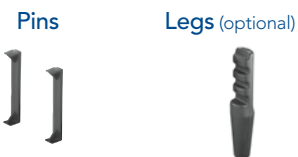
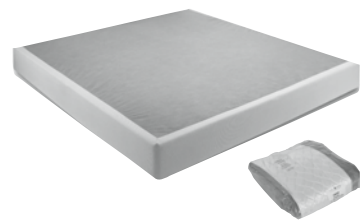
MODULAR BASE: WHAT'S INCLUDED

	Twin/Twin Extra-Long	Full/ Double	Queen	King/ California King
Side Rails	2 short 2 long	2 short 2 long	2 short 2 long	4 short 4 long
Pins	2	2	2	4
Legs (optional)	6	6	9	12
Support/ End Beams	6	6	6	12
Deck Panels	2	4	4	4
Coverlet	1	1	1	1

MODULAR BASE COMPONENTS



Coverlet
(shown as packaged)



Some texture and surface appearances may vary from those shown.

HELP IS JUST A CLICK OR PHONE CALL AWAY

If you ever have questions or need help finding your ideal comfort, please visit us at sleepnumber.com/chat to chat with a live representative 7 a.m. – 11 p.m. Central Standard Time (CST) daily or call **1.800.472.7185**.

Representatives are available by phone Central Standard Time (CST):

Monday-Friday 8 a.m. – 8 p.m.
Saturday 8:30 a.m. – 5 p.m.
Sunday Closed

sleep  number.

Assembling Your Base



BEFORE YOU BEGIN

Carefully check the contents of your base boxes.

CAUTION: Immediately dispose of packaging as it can pose choking or other hazards to small children and pets.

WARNING: Read all instructions before use to avoid injury. Improper use of product can result in serious injury or death. Follow the safety information in this assembly guide. Keep this assembly guide for future reference.

Make sure you have the correct number of components for the size of bed you purchased. If you are missing any items listed inside, please call 1.800.472.7185 or email Customer Service at customerservice@selectcomfort.com.

sleep  number.

9800 59th Avenue North, Minneapolis, MN 55442

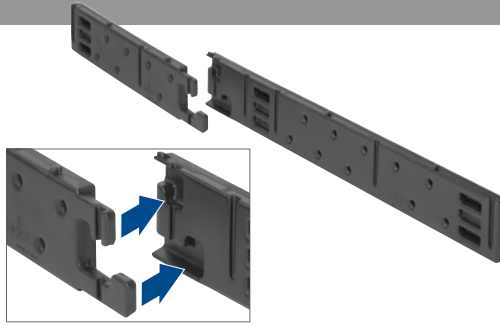


120171

©2016 Select Comfort Corporation

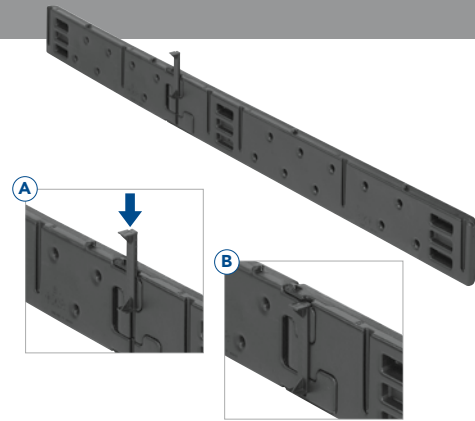
1 SIDE RAILS

- Connect the short and long side rails.
- Push firmly; joints fit tightly.



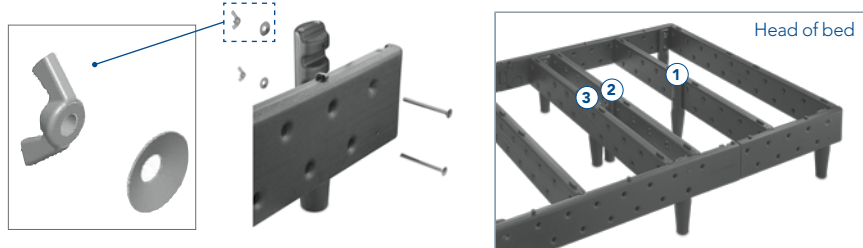
2 PINS

- Insert pins by sliding into side rails in the direction of the arrow (image A).
- Push firmly.
- Make sure that the top of the pin is flush with the top of the side rail (image B).



3 LEGS (OPTIONAL)

- Insert a bolt through side rail and leg holes. Hand-tighten wing nut and spring washer. Cupped side of the washer must face toward the leg and the bolt should be flush with side rail. Repeat for second hole and tighten firmly.
- Repeat for remaining legs.
- If you have a King/California King size bed, repeat the steps above for the second base.
- If you have a Queen base, attach 3 additional legs to support beams 1, 2 and 3 (see below).
- Check wing nuts 2-3 days after initial assembly to ensure proper tightness.



4 SUPPORT/END BEAMS

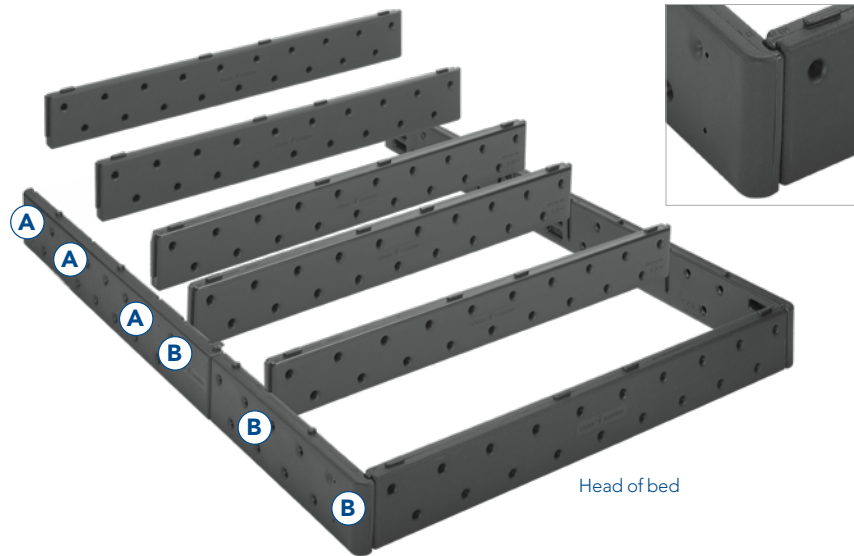
- Match "A" end of the support/end beam with the "A" groove of the side rail. Match "B" end of the support/end beam with the "B" groove of the side rail.

For Twin Extra-Long, Queen and King beds:

- Ensure the tabs are pointed up; slide one of the support beams into the end of the side rails at the head of the bed. Push firmly until top is flush; joints fit tightly.
- Slide remaining support beams into side rail grooves beginning at the head of the bed and progressing toward the foot. Be sure to match the "A" end of the support beam with the "A" groove of the side rail and the "B" end of the support beam with the "B" groove of the side rail.

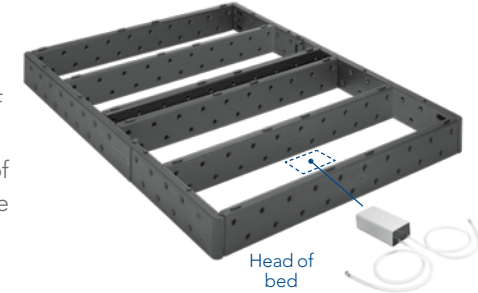
For Full, Double and California King beds:

- Ensure the tabs are pointed up; slide one of the beams labeled "end beam" into the side rails at the head of the bed, push firmly until top is flush; joints fit tightly.
- Slide support beams into side rail grooves beginning at the head of the bed and progressing toward the foot. Be sure to match the "A" end of the support beam with the "A" groove of the side rail and the "B" end of the support beam with the "B" groove of the side rail.
- Slide remaining beam labeled "end beam" into the grooves at the foot of the bed.



5 FIRMNESS CONTROL™ SYSTEM

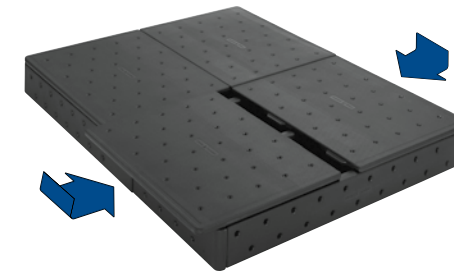
- Place the Firmness Control™ system under the base at the head of the bed. CAUTION: If base is placed directly onto floor, place Firmness Control™ system next to the head of the base to prevent restriction of air flow.
- Extend hoses in front of the head of the bed and toward their respective sides of the bed (for dual chamber beds) or to one side (for single chamber beds).



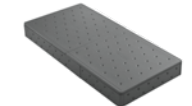
6 DECK PANELS

- Slide deck panels onto frame from outside in, locking each deck panel into place by securing it to the tabs of the frame and beams.
- Ensure the deck panels are flush on all sides.
- Panels fit snugly; do not force.

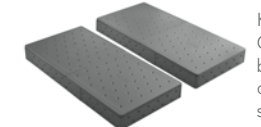
Full/Double/Queen



Twin/Twin Extra-Long



King/California King



King and California King bases consist of two bases, side by side.

7 COVERLET

- Place coverlet on top of base.
- Carefully cover one corner at a time, positioning the seam at the head of the bed.

8 YOU'RE DONE!

- See your bed assembly guide for mattress assembly instructions.