

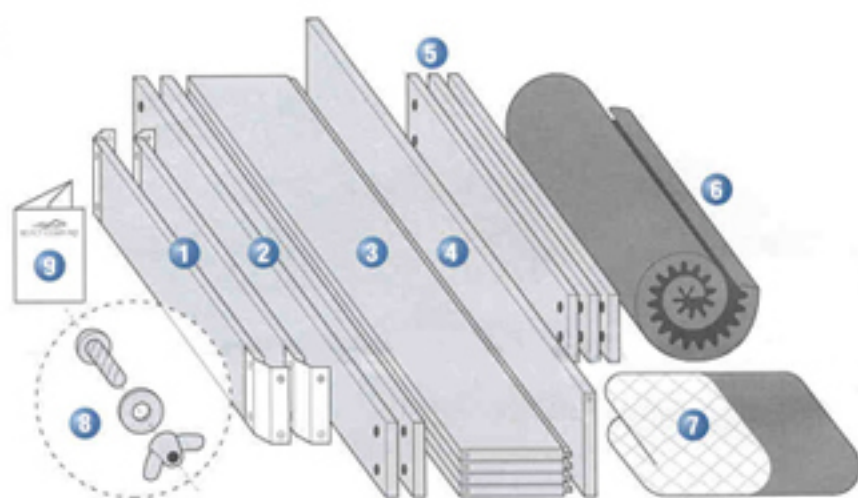
Foundation Instructions

If you purchased a bedframe, assemble it first. Then assemble your foundation, and lastly assemble your new mattress. Your foundation should be assembled directly onto your bedframe (sold separately), or on the floor. Check the contents of your foundation boxes against the component list pictured below. If you are missing anything, contact Customer Service at 1-800-472-7185. **NOTE:** Some bed frames have slats that run from one side of the bed to the other. If your bed frame has slats, position the slats evenly to support the foundation. If your bed frame has fewer than three slats, we recommend adding additional slats to ensure adequate support for your foundation.

Contents

Carefully check the contents of your foundation boxes and compare with the list below. If you are missing any items, please call Customer Service at **1-800-472-7185**.

1. End Planks (2)
2. Side Planks (2)
3. Deck Panels (2 for Twin size, 4 for Full and Queen size; 5 for King size)
4. Partial Deck Panel
5. Center Planks (3)
6. Foam Topper Pad
7. Coverlet
8. Hardware: Carriage Bolts (20), Washers (8), Wing Nuts (20)
9. Set-up Instructions

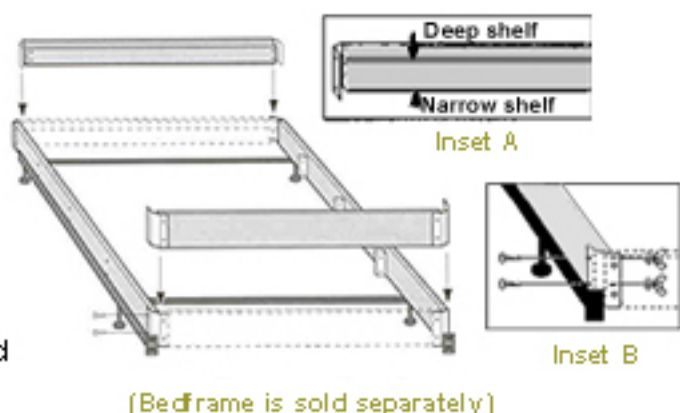


1 Connect End Planks to Side Planks

a) Place the two Side Planks on the rails of the bedframe, with the open portions of the "U brackets" facing upward.

b) Take the two End Planks & identify the "deep shelf" end of each plank (see inset A).

b) With the "deep shelf" ends facing upward, fasten the End Planks to the Side Planks, using the carriage bolts, washers and wing nuts (see inset B).

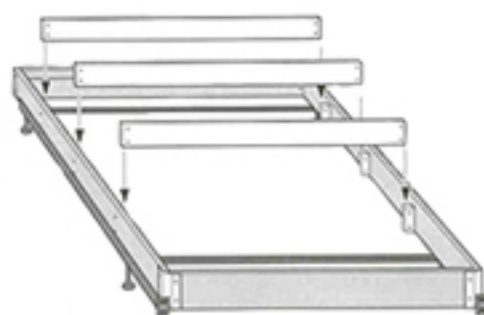


2 Insert Center Planks

a) Slide each of the three Center Planks into the corresponding U brackets on the Side Planks.

b) Fasten the Center Planks to the U brackets using carriage bolts and wing nuts, and tighten to hand-tightness. Ensure that the bolt head on each bolt is fitted correctly into the square holes in the bracket.

Note: Washers are not required for connecting Center Planks to the U brackets.



3 Place Deck Panels into Frame

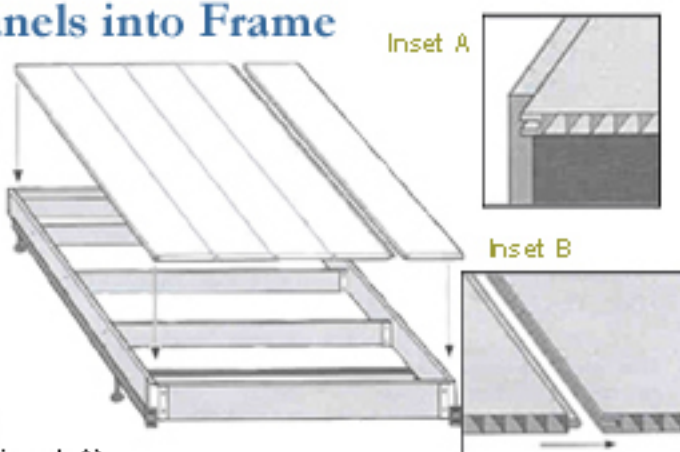
a) Identify the Partial Deck Panel (grooved on one side, but no "tongue" on the other side) and set it aside. You will use this panel last.

b) Then, place any Deck Panel on top of the Center Planks with the grooved side against the Side Plank. (See inset A)

b) Next, place the remaining Deck Panels on top of the Center Planks with tongue and groove interlocked. (See inset B)

d) Last, place the Partial Deck Panel with the grooved side interlocked with the tongue of the previously placed Deck Panel.

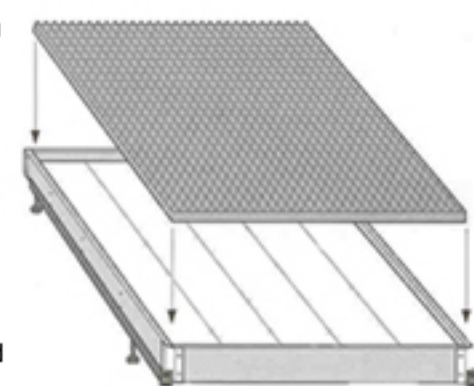
Note: The number of Deck Panels required will vary according to the size of your foundation. Queen size assembly shown.



4 Install the Foam Topper Pad

a) Take the Foam Topper Pad and position it with the smooth side against the Deck Panels.

Note: Due to the way the topper pad is packaged for shipment, it may not initially appear to properly fit the deck panel surface. Center the pad on the deck panels and continue to assemble your Select Comfort Sleep System. The topper pad will recover its original shape over a period of time.



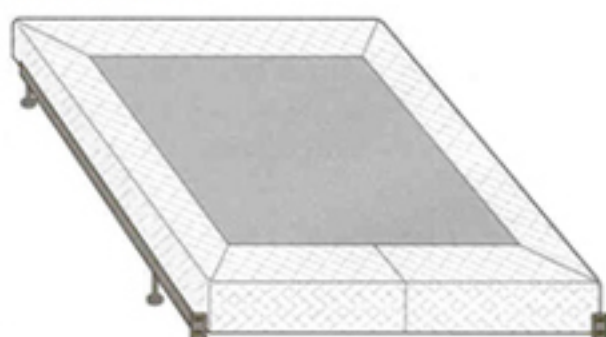
5 Fit the Coverlet Over the Foundation

a) Take the Coverlet and find the seam on its quilted border wall. This end of the Coverlet covers the head of Foundation.

b) Slip the Coverlet completely over the two corners at the head of the Foundation.

c) Then pull the Coverlet around the two corners at the foot of the Foundation and adjust each side of the Coverlet for an even appearance.

d) You can now begin assembly of your Select Comfort Mattress directly onto your Foundation.



Next Step: Mattress Setup

If you are missing anything, or are in need of assistance in setting up your mattress contact Customer Service at **1-800-472-7185**.